

8340 Straight Round Entrance Pull Handles



Advantages at a glance

- 316 Marine Grade Stainless Steel
- Designed with your project's needs in mind
- High durability with concealed fixings
- Standard finishes: SSS and PSS
- Powdercoat and custom finishes available on request



AS1428 Compliant

dormakaba's Straight Round Entrance Pull Handles crafted with precision and excellence in mind, these handles are designed to elevate your space with their superior quality and attention to detail.

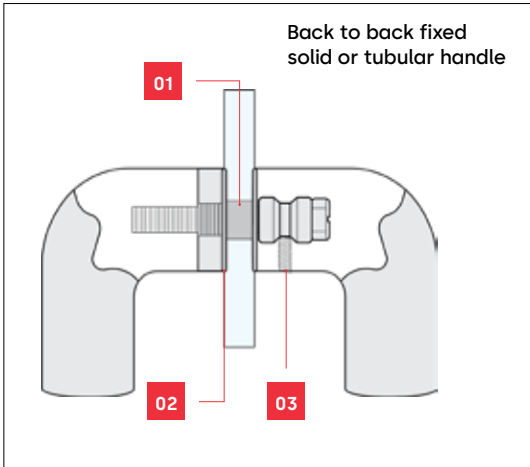
Made from premium 316 Marine Grade Stainless Steel, these handles are built to withstand the test of time, offering unmatched corrosion resistance for both indoor and outdoor use, even in high traffic areas. The straight round section design ensures effortless functionality, providing comfortable grip and ease of use.

Ideal for a variety of settings, from residential to commercial, these handles are versatile enough to be installed on glass, timber, and aluminium doors. Elevate your entrances with dormakaba's Straight Round Entrance Pull Handles and experience genuine quality that stands out in any space.

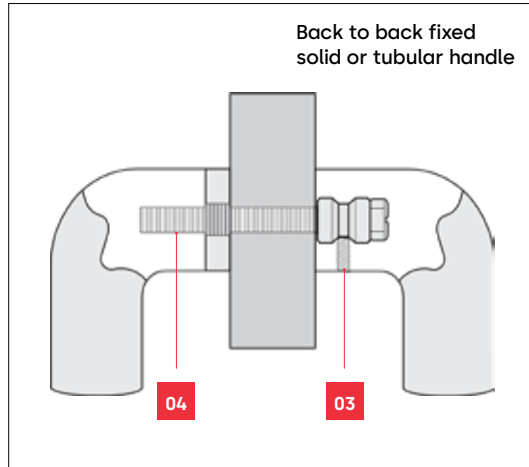
Refer to ordering details for a range of optional accessories to suit:

- Back to back extended fixing for timber doors
- Back to back fixing for glass doors
- Disc fixing for timber doors
- Disc fixing for glass doors
- Concealed fixing for timber doors

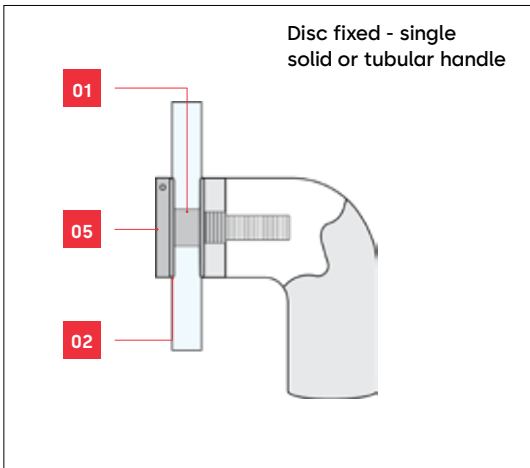
Fixing options



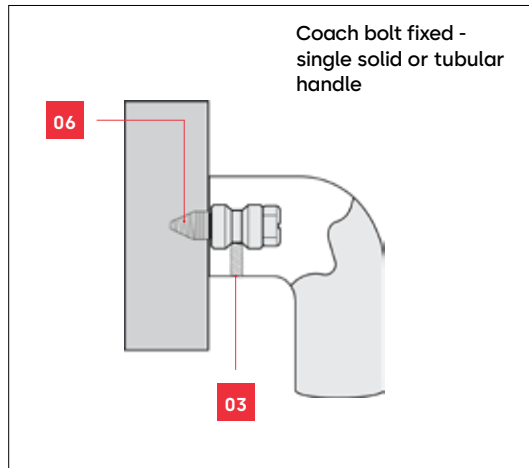
GD FIX - glass doors



TM FIX - timber or metal doors



D FIX - glass, metal or timber doors



C FIX - timber doors only

Note

Nylon spacers and washers are included with handle for glass door fixing option.

Legend

- 01 Spacer
- 02 Washer
- 03 Grub Screw
- 04 Bolt
- 05 Disc
- 06 Coach Bolt

TIMBER DOOR FIXING

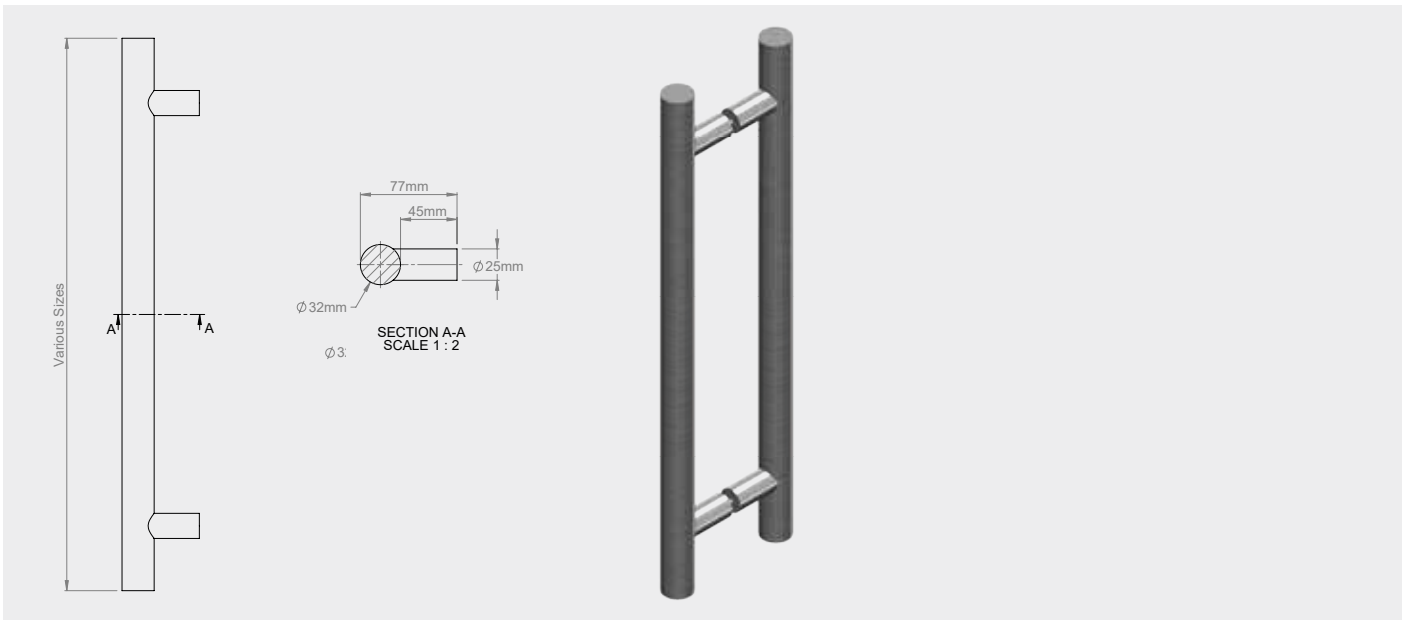
Material Size	Bolt Size
14mm Ø	5mm
16mm Ø	5mm
19mm Ø	8mm
25mm Ø	8mm
32mm Ø	8mm

METAL DOOR FIXING

Material Size	Bolt Size
14mm Ø	5mm
16mm Ø	5mm
19mm Ø	8mm
25mm Ø	8mm
32mm Ø	8mm

GLASS DOOR FIXING

Material Size	Bolt Size
14mm Ø	12mm Ø
16mm Ø	12mm Ø
19mm Ø	12mm Ø
25mm Ø	12mm Ø
32mm Ø	12mm Ø



8340 Straight Round dimensions

Ordering details

Item	Article Number	Description	Diameter	Projection	Length	Fixing Centres
BACK TO BACK FIXING						
B8340/S/32/SSS	9458343895101	B8340/S/32 OA 600 CTC 440 SSS	32mm	77mm	600mm	440mm
B8340/S/32/PSS	9458343895102	B8340/S/32 OA 600 CTC 440 PSS	32mm	77mm	600mm	440mm
B8340/S/32 SF	9400000016476	B8340/S/32 OA 600 CTC 440 SF	32mm	77mm	600mm	440mm
B8340/O/32/SSS	9458346085101	B8340/O/32 OA 1000 CTC 840 SSS	32mm	77mm	1000mm	840mm
B8340/O/32/PSS	9458346085102	B8340/O/32 OA 1000 CTC 840 PSS	32mm	77mm	1000mm	840mm
B8340/O/32 SF	9400000016475	B8340/O/32 OA 1000 CTC 840 SF	32mm	77mm	1000mm	840mm
B8340/M/32/SSS	9458346895101	B8340/M/32 OA 1200 CTC 1040 SSS	32mm	77mm	1200mm	1040mm
B8340/M/32/PSS	9458346895102	B8340/M/32 OA 1200 CTC 1040 PSS	32mm	77mm	1200mm	1040mm
B8340/M/32 SF	9400000016474	B8340/M/32 OA 1200 CTC 1040 SF	32mm	77mm	1200mm	1040mm
C8340/S/32/SSS	9458343895201	C8340/S/32 OA 600 CTC 440 SSS	32mm	77mm	600mm	440mm
C8340/S/32/PSS	9458343895202	C8340/S/32 OA 600 CTC 440 PSS	32mm	77mm	600mm	440mm
C8340/S/32 SF	9400000016509	C8340/S/32 OA 600 CTC 440 SF	32mm	77mm	600mm	440mm
C8340/O/32/SSS	9458346085201	C8340/O/32 OA 1000 CTC 840 SSS	32mm	77mm	1000mm	840mm
C8340/O/32/PSS	9458346085202	C8340/O/32 OA 1000 CTC 840 PSS	32mm	77mm	1000mm	840mm
C8340/O/32 SF	9400000016508	C8340/O/32 OA 1000 CTC 840 SF	32mm	77mm	1000mm	840mm
C8340/M/32/SSS	9458346895201	C8340/M/32 OA 1200 CTC 1040 SSS	32mm	77mm	1200mm	1040mm
C8340/M/32/PSS	9458346895202	C8340/M/32 OA 1200 CTC 1040 PSS	32mm	77mm	1200mm	1040mm
C8340/M/32 SF	9400000016507	C8340/M/32 OA 1200 CTC 1040 SF	32mm	77mm	1200mm	1040mm
D8340/S/32/SSS	9458343895301	D8340/S/32 OA 600 CTC 440 SSS	32mm	77mm	600mm	440mm
D8340/S/32/PSS	9458343895302	D8340/S/32 OA 600 CTC 440 PSS	32mm	77mm	600mm	440mm
D8340/S/32 SF	9400000016531	D8340/S/32 OA 600 CTC 440 SF	32mm	77mm	600mm	440mm
D8340/O/32/SSS	9458346085301	D8340/O/32 OA 1000 CTC 840 SSS	32mm	77mm	1000mm	840mm
D8340/O/32/PSS	9458346085302	D8340/O/32 OA 1000 CTC 840 PSS	32mm	77mm	1000mm	840mm
D8340/O/32 SF	9400000016530	D8340/O/32 OA 1000 CTC 840 SF	32mm	77mm	1000mm	840mm
D8340/M/32/SSS	9458346895301	D8340/M/32 OA 1200 CTC 1040 SSS	32mm	77mm	1200mm	1040mm
D8340/M/32/PSS	9458346895302	D8340/M/32 OA 1200 CTC 1040 PSS	32mm	77mm	1200mm	1040mm
D8340/M/32 SF	9400000016529	D8340/M/32 OA 1200 CTC 1040 SF	32mm	77mm	1200mm	1040mm

ACCESSORIES - EXTENDED FIXINGS - sold as a pair

TM/M8/50	9459508058200	M8/50 FERULE HEAD BOLT TM FIX	<p>Note: When ordering extended fixings please use the below formula.</p> <p>Door thickness + 20mm for the Ferule + 10mm in to the other handle = round up to the nearest size offered.</p> <p>• For single sided internal fixing, a disc fixing kit is required.</p>
TM/M8/75	9459758078200	M8/75 FERULE HEAD BOLT TM FIX	
TM/M8/90	9400000012887	M8/90 BOLT & 16MM FERULE TM FIX	
TM/M8/100	9400000012888	M8/100 BOLT & 16MM FERULE TM FIX	
TM/M8/110	9459118118200	M8/110 BOLT & 16MM FERULE TM FIX	
TM/M8/120	9459128128200	M8/120 BOLT & 16MM FERULE TM FIX	
TM/M8/130	9459138138200	M8/130 BOLT & 16MM FERULE TM FIX	
TM/M8/150	9459158158200	M8/150 BOLT & 16MM FERULE TM FIX	

Ordering details

Item	Article Number	Description	Diameter	Projection	Length	Fixing Centres
ACCESSORIES - GLASS FIXINGS - sold as a pair						
GF25/M8/50 RND	9459502588301	25 DIA RND GLASS FIXING PAIRS				
ACCESSORIES - EXTENDED FIXINGS - sold as a pair						
DF25/M8/75 PSS	9459752588102	25MM DISK FIX PAIR M8X75MM PSS				
DF25/M8/75 SSS	9400000014108	25MM DISK FIX PAIR M8X75MM SSS				
ACCESSORIES - GLASS FIXINGS - sold as a pair						
GDF25/M8/50 PSS	9459502588102	25MM GLASS DISK FIX PSS PAIR M8X50MM				
GDF25/M8/50 SSS	9459502588101	25MM GLASS DISK FIX SSS PAIR M8X50MM				

Any questions? We would be happy to advise you.

dormakaba Australia | info.au@dormakaba.com | T 1800 675 411 | www.dormakaba.com.au
dormakaba New Zealand | info.nz@dormakaba.com | T 0800 436 762 | www.dormakaba.co.nz